



### 16' & 18' Length with 2 Dividers

6' 6" High 7' & 8' Wide Package - 804.023

7' High 7' & 8' Wide Package - 804.024

### 20' Length with 3 Dividers

6' 6" High 7' & 8' Wide Package - 804.025

7' High 7' & 8' Wide Package - 804.026

### 24' Length with 4 Dividers

6' 6" High 7' & 8' Wide Package - 804.027

7' High 7' & 8' Wide Package - 804.028

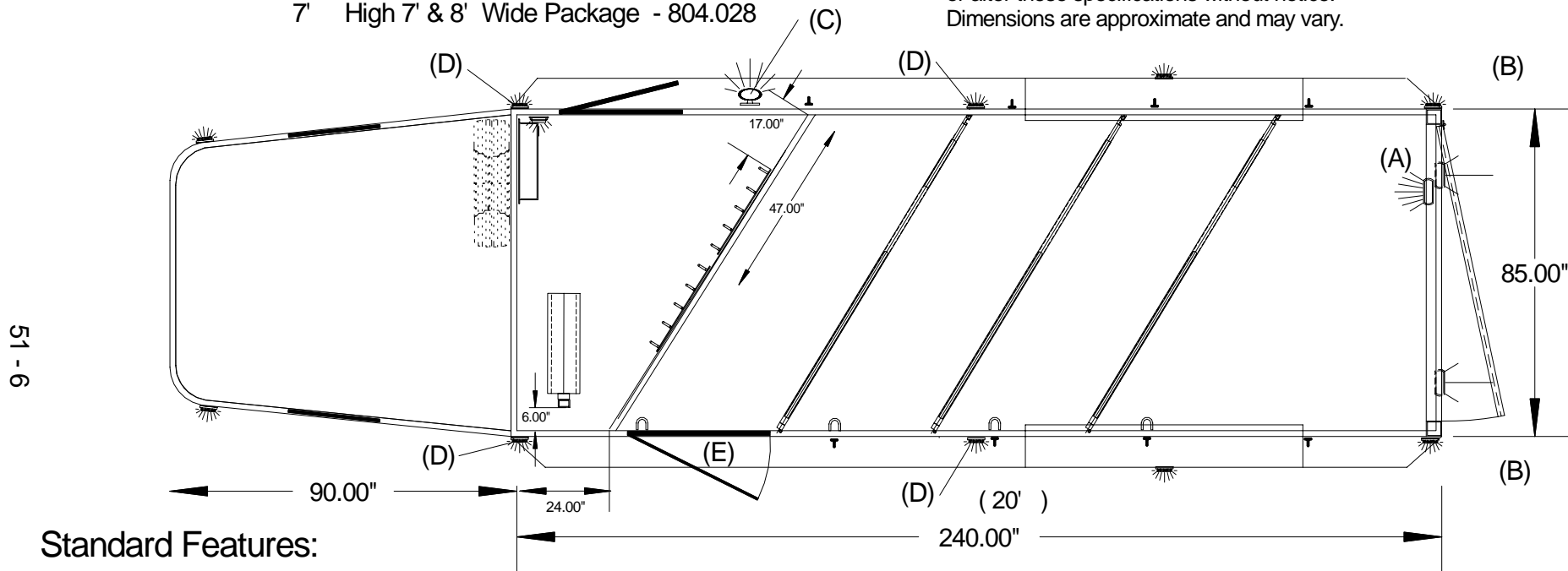
## Deluxe 2 "ROPER" Package

Model - 7 ft. wide 20 ft Shown

kdd 6-5-07

Kiefer Built LLC reserves the right to change or alter these specifications without notice.

Dimensions are approximate and may vary.



### Standard Features:

- Aluminum Livestock Fenders
- Delete Calf Gate
- Dome Light above Camper Door - Inside (1) as shown
- Carpet on G/N Pan and Drop Down
- Brush Box (mounted on G/N Wall 12 inches above floor inside camper door)
- Dakota Light in Rear area above rear door (A)
- Recessed Load lights with toggle switch (B)
- Load Light by Camper Door (C)
- (2) sets extra clearance lights (D)
- 37" Escape Door Driver Side (E)
- Tie Loops 3 per Horse (1 - Inside DS, 2 - each side Outside) ( 16' - 9 ties, 18' - 9 ties, 20' - 12 ties, 24' - 15 ties)

- Air Flow, slant stall dividers ( 16' - 2 div, 18' - 2 div, 20' - 3 div, 24' - 4 div)
- Solid rear Door ( no air slots )
- Plexiglass installed
- Rubber Mats ( including dressing room and horse area)
- Enclosed Front of Wall Off - Smooth
- Permanent Aluminum Wall Off 2 Ft. Slant (24" SW, 76" LW)
- Premium Camper Door w/Screen 32" x 72" (Passenger Side)
- Windows in Gooseneck Sidewall 18" x 24"
- Complete Spare (Tire and Wheel)
- 4 Stack Post Saddle Rack in Dressing Room Centered on Driver Side  
10 inches from Driver Side wall
- (2) Sets Aluminum (5) Hook Bridle Rack mounted in line 72" above floor  
First Bridle Rack begins 17 inches from passenger wall, second  
Bridle Rack begins 47 inches from passenger wall.